

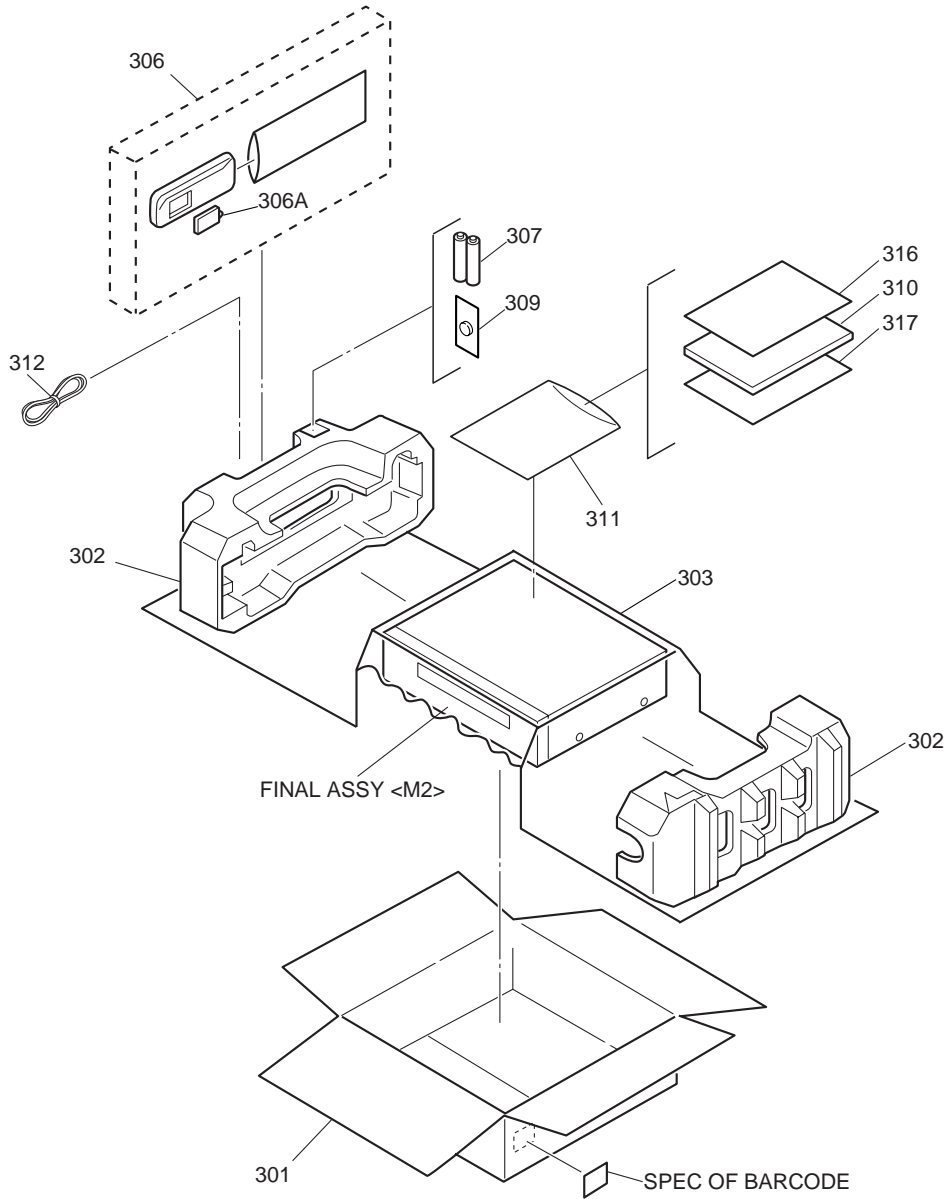
# SECTION 5 PARTS LIST

## SAFETY PRECAUTION

Parts identified by the  $\triangle$  symbol are critical for safety. Replace only with specified part numbers.

### 5.1 PACKING AND ACCESSORY ASSEMBLY <M1>

The instruction manual to be provided with this product will differ according to the destination.



# $\triangle$ REF No.	PART No.	PART NAME, DESCRIPTION	# $\triangle$ REF No.	PART No.	PART NAME, DESCRIPTION
*****					
<b>PACKING AND ACCESSORY ASSEMBLY &lt;M1&gt;</b>					
301	LP31012-001A	PACKING CASE,J693M	306A	LP40033-001A	BATTERY CAP
	LP31012-003A	PACKING CASE,J496M	307	—	BATTERY,X2,"AA"TYPE
302	LP30777-001C	CUSHION ASSY	$\triangle$ 309	PECA0903	LI.BATTERY,CR2025
303	LP30904-002A	SHEET	$\triangle$ 310	LPT0535-001A	INST BOOK(PT)
306	LP20034-017A	REMOTE CONTROLLER	311	QPC02503530P	POLY BAG
			312	PEAC0294-04	RF CABLE
			316	BT-53003-1	WARRANTY CARD
			317	BT-53002-1	S.CENTER LIST



# △ REF No. PART No. PART NAME, DESCRIPTION

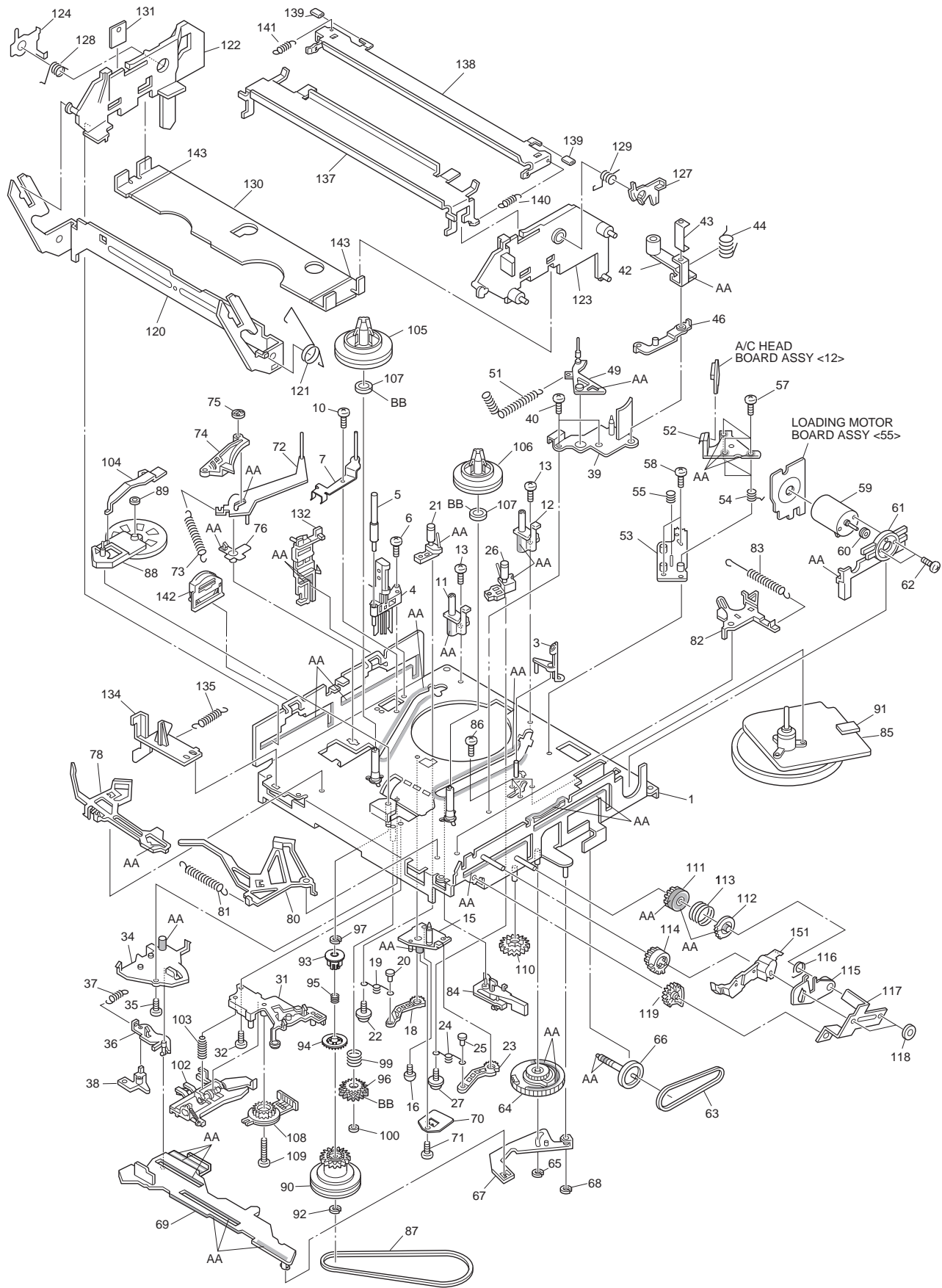
# △ REF No. PART No. PART NAME, DESCRIPTION

\*\*\*\*\*

**FINAL ASSEMBLY <M2>**

△	501	LP10348-011F	FRONT PANEL ASSY,J693M
△		LP10348-012F	FRONT PANEL ASSY,J496M
	501A	LP20977-007C	CASSETTE DOOR,J693M
		LP20977-008C	CASSETTE DOOR,J496M
	501B	PQ46448	TORSION SPRING
	501C	LP20976-012B	DISPLAY WINDOW,J496M
		LP20976-011B	DISPLAY WINDOW,J693M
△	502	LP10352-008A	TOP COVER
	503	QYTDSF3010R	SCREW,X2, TOP COVER(SIDE)
	505	LP20981-001A	DRUM SUB ASSY,J693M
		LP20981-006A	DRUM SUB ASSY,J496M
	505E	LP40323-001A	CONTACT
	505F	LP30004-014A	COMPRESSION SPRING
	506	PDZ0179-1-4	ROTOR ASSY
	507	QYSPSP3006Z	SCREW,X2, ROTOR
△	508	QAR0169-002	STATOR ASSY
	509	QYSPSPH2606Z	SCREW,X2, STATOR
	510	QYTDST2610Z	SCREW,X3, DRUM
△	511	LP10350-006E	BOTTOM CHASSIS
△	512	LP10360-001A	BOTTOM COVER
	513	LP30312-001B	BRACKET(CHASSIS)
	514	QYTDSF3010Z	SCREW,X2,BRACKET
	515	QYTDSF4012Z	SCREW,MECHA
	516	QYTDSF3010Z	SCREW,X2,MECHA
△	517	QMP73K0-170	POWER CORD
	518	LP40369-001D	CLEANER ASSY
	518A	PQ46418-1-2	CLEANER ROLLER
	518B	PQ46419-1-2	CLEANER
	518C	LP30407-001D	CLEANER ARM
	520	LP30336-001A	CAP,LT.BATTERY
	524	LP40253-001B	STOPPER
	525	PQ40413	SPECIAL SCREW,MECHA
	530	QYTDSF3010Z	SCREW,X3,MAIN
	531	QYTDSF3010M	SCREW,REAR
	532	QYTDSF3010Z	SCREW,TERMINAL BOARD
	WR1	QUQ212-0519CG	FFC WIRE,DRUM
	WR2	WJT0005-002A	E-CARD WIRE,A/C HEAD

### 5.3 MECHANISM ASSEMBLY <M4>



Classification	Part No.	Symbol in drawing
Grease	KYODO-SH-P	AA
Oil	COSMO-HV56	BB

**NOTE:** The section marked in **AA** and **BB** indicate lubrication and greasing areas.

#	△	REF No.	PART No.	PART NAME, DESCRIPTION	#	△	REF No.	PART No.	PART NAME, DESCRIPTION
*****									
<b>MECHANISM ASSEMBLY &lt;M4&gt;</b>									
1			LP20821-006A	MAIN DECK ASSY	76			LP30232-002A	TENSION ARM BEARING
3			LP30492-002B	GUIDE POLE GUARD	78			LP40532-008B	MAIN BRAKE ASSY (SUPPLY)
4			NAH0001-001	FULL ERASE HEAD	80			LP40111-011A	MAIN BRAKE ASSY (TAKE UP)
5			LP40098-001B	GUIDE POLE(SUPPLY)	81			LP30003-026A	TENSION SPRING
6			QYTDST2608Z	SCREW,FE HEAD	82			LP40112-001F	SUB BRAKE ASSY(TAKE UP)
7			LP40637-002A	TENSION STUD BASE ASSY	83			LP40357-002A	TENSION SPRING
10			QYTDST2606Z	SCREW	84			LP40461-001A	CAPSTAN BRAKE ASSY
11			LP30409-002C	UV CATCHER 2	85			QAR0087-005	CAPSTAN MOTOR
12			LP30409-002C	UV CATCHER 2	86			QYTDST2606M	SCREW,X3
13			QYTPST2606Z	SCREW,X2	87			LP30005-007A	BELT,CAPSTAN MOTOR
15			LP30223-003C	LOADING ARM GEAR SHAFT	88			LP40114-012A	IDLER ARM ASSY
16			QYTDST2606Z	SCREW	89			LP40599-001A	WASHER
18			LP30224-001B	LOADING ARM GEAR(SUPPLY)	90			LP40593-001A	CLUTCH UNIT 3
19			LP40099-001A	TORSION ARM	91			LP30002-097A	SPACER,CAPSTAN MOTOR
20			LP40100-001A	PIN	92			PQM30017-47	SLIT WASHER
21			LP40101-006A	POLE BASE ASSY(SUPPLY)	93			LP30696-002A	CLUTCH GEAR 4
22			QYSPSTG2606Z	SCREW	94			LP30697-003A	COUPLING GEAR
23			LP40103-002B	LOADING ARM GEAR(TAKE UP)	95			LP40554-002A	COMPRESSION SPRING
24			LP40099-001A	TORSION ARM	96			LP40442-001A	DIRECT GEAR
25			LP40100-002A	PIN	97			LP30017-019A	SPACER
26			LP40104-006A	POLE BASE ASSY(TAKE UP)	99			LP40483-002A	COMPRESSION SPRING
27			QYSPSTG2606Z	SCREW	100			LP30016-001A	SLIT WASHER
31			LP20233-004B	ROTARY ENCODER GUIDE	102			LP40484-001J	CHANGE LEVER ASSY
32			QYTPST2606Z	SCREW	103			LP40512-002B	COMPRESSION SPRING
34			LP30226-004E	CONTROL PLATE GUIDE	104			LP30236-002C	IDLER LEVER
35			QYTPST2605Z	SCREW	105			LP20237-001B	REEL DISK (SUPPLY)
36			LP30249-003B	TAKE UP LEVER	106			LP20238-001B	REEL DISK (TAKE UP)
37			LP30003-006A	TENSION SPRING	107			LP30017-015A	SPACER,X2
38			LP40119-002A	TAKE UP HEAD	108			QSW0554-003	ROTARY ENCODER
39			LP20234-004B	LID GUIDE	109			QYTPST2620Z	SCREW
40			QYTDST2606Z	SCREW,X2	110			LP30237-002B	CASSETTE GEAR
42			LP40105-003A	PINCH ROLLER ARM ASSY	111			LP30239-002G	LIMIT GEAR(1)
43			LP40753-001A	PINCH ROLLER SHEET3	112			LP30240-002G	LIMIT GEAR(2)
44			LP40148-002A	TORSION SPRING	113			LP40136-001E	TORSION SPRING
46			LP40149-001C	PRESS LEVER ASSY	114			LP30242-002A	RELAY GEAR
49			LP40106-007A	GUIDE ARM ASSY	115			LP30339-002E	OPENER GUIDE
51			LP40134-002A	TENSION SPRING	116			LP40545-001A	TORSION SPRING
52			QAH0058-001	AC HEAD	117			LP40214-001B	C.H.BRACKET
53			LP30228-001C	HEAD BASE	118			PQM30017-47	SLIT WASHER,X2
54			LP30004-013A	COMPRESSION SPRING,X3	119			LP30243-002A	DRIVE GEAR
55			LP40236-001A	COMPRESSION SPRING	120			LP20240-001G	DRIVE ARM
57			LP40213-002B	SPECIAL SCREW,X3	121			LP40137-001A	TORSION SPRING
58			QYTDST2608Z	SCREW,X2	122			LP10081-002L	SIDE HOLDER(L)
59			QAR0023-001	LOADING MOTOR	123			LP10082-002M	SIDE HOLDER(R)
60			PQ43546-1-2	MOTOR PULLEY	124			LP30255-006A	LOCK LEVER(L)
61			LP30230-001B	MOTOR GUIDE	127			LP30256-001H	LOCK LEVER(R)
62			QYTPSP3003Z	SCREW,X2	128			LP40168-003A	TORSION SPRING(L)
63			LP30005-003A	BELT,LOADING MOTOR	129			LP40218-001B	TORSION SPRING(R)
64			LP20791-002D	CONTROL CAM	130			LP30257-001G	CASSETTE HOLDER
65			PQM30017-24	SLIT WASHER	131			LP40852-001A	EARTH PLATE
66			LP40120-001A	WORM GEAR	132			LP30244-002G	GUIDE RAIL
67			LP40107-002A	LINK LEVER ASSY	134			LP30245-002F	REC SAFETY LEVER
68			PQM30017-24	SLIT WASHER	135			LP30003-004A	TENSION SPRING
69			LP10201-003G	CONTROL PLATE	137			LP20578-001C	TOP GUIDE
70			LP40379-001B	CONTROL BRACKET(1)	138			LP30500-001C	HOLD PLATE
71			QYTDST2608M	SCREW	139			LP40450-003A	PAD,X2
72			LP40108-002A	TENSION ARM ASSY	140			LP30003-025B	TENSION SPRING
73			LP30003-010A	TENSION SPRING	141			LP30003-024A	TENSION SPRING
74			LP40109-003D	TENSION BRAKE ASSY	142			LP40481-003A	ROLLER CAM ASSY
75			PQ46302-1-3	ADJUST PIN	143			LP30019-014A	PAD,X2
					151			LP20324-003B	DOOR OPENER

## 5.4 ELECTRICAL PARTS LIST

#	△ REF No.	PART No.	PART NAME, DESCRIPTION
*****			
<b>MAIN BOARD ASSEMBLY &lt;03&gt;</b>			
	PW1	LPA10130-07B1	MAIN BOARD ASSY,J496M
		LPA10130-09B1	MAIN BOARD ASSY,J693M
	IC1	JCP8021-MVD	IC
		or JCP8021-MVD-2	IC
		or JCP8051-MVA	IC
△	IC2201	AN3663FBP	IC,J693M
	IC3001	MN101D02GWA	IC
		or MN101DP02JAFWA	IC
	IC3002	BA6956AN	IC
	IC3003	S-80823ANNP-W	IC
		or IC-PST3423U-X	IC
	IC3004	S-24C02BFJ-X	IC,2K
		or BR24C02F-W-X	IC,2K
		or 24LC02B/SN-X	IC,2K
		or AT24C02N-10SC-X	IC,2K
	IC5301	L5431	IC
		or MM1431AT	IC
		or UTCTL431	IC
	IC7042	GP1U291Q	IR DETECT UNIT
		or PIC-28143LJ	IR DETECT UNIT
		or PNA4652M00YC	IR DETECT UNIT
		or PIC-37143LJ	IR DETECT UNIT
	Q12	2SA1576A/QR/-X	TRANSISTOR
		or 2PA1576/R/-X	TRANSISTOR
		or 2SB1218A/QR/-X	TRANSISTOR
	Q13	DTC144WU	TRANSISTOR
		or PDTC144WU	TRANSISTOR
		or RN1309	TRANSISTOR
		or UN521E	TRANSISTOR
	Q22	2SC4081/QRS/-X	TRANSISTOR
		or 2PC4081/R/-X	TRANSISTOR
	Q32	DTC144WU	TRANSISTOR
		or PDTC144WU	TRANSISTOR
		or RN1309	TRANSISTOR
		or UN521E	TRANSISTOR
	Q901	2SA1576A/QRS/-X	TRANSISTOR
		or 2PA1576/R/-X	TRANSISTOR
	Q2001	2SC4081/QRS/-X	TRANSISTOR
		or 2PC4081/R/-X	TRANSISTOR
		or 2SD1819A/QRS/-X	TRANSISTOR
	Q2002	2SC4081/QRS/-X	TRANSISTOR
		or 2SD1819A/QRS/-X	TRANSISTOR
		or 2PC4081/R/-X	TRANSISTOR
	Q2003	DTA144WU	TRANSISTOR
		or PDTA144WU	TRANSISTOR
		or RN2309	TRANSISTOR
		or UN511E	TRANSISTOR
	Q2051	2SC4081/QRS/-X	TRANSISTOR
		or 2PC4081/R/-X	TRANSISTOR
		or 2SD1819A/QRS/-X	TRANSISTOR
	Q2052	2SA1576A/QR/-X	TRANSISTOR
		or 2SB1218A/QR/-X	TRANSISTOR
		or 2PA1576/R/-X	TRANSISTOR
	Q2053	DTC144WU	TRANSISTOR
		or PDTC144WU	TRANSISTOR
		or RN1309	TRANSISTOR
		or UN521E	TRANSISTOR

#	△ REF No.	PART No.	PART NAME, DESCRIPTION
	Q2054	2SA1576A/QR/-X	TRANSISTOR
		or 2PA1576/R/-X	TRANSISTOR
		or 2SB1218A/QR/-X	TRANSISTOR
	Q2055	DTC144WU	TRANSISTOR
		or PDTC144WU	TRANSISTOR
		or RN1309	TRANSISTOR
		or UN521E	TRANSISTOR
	Q2201	DTA144WU	TRANSISTOR,J693M
		or PDTA144WU	TRANSISTOR,J693M
		or RN2309	TRANSISTOR,J693M
		or UN511E	TRANSISTOR,J693M
	Q2202	DTC144WU	TRANSISTOR,J693M
		or PDTC144WU	TRANSISTOR,J693M
		or RN1309	TRANSISTOR,J693M
		or UN521E	TRANSISTOR,J693M
	Q2203	2SC4081/QRS/-X	TRANSISTOR,J693M
		or 2PC4081/R/-X	TRANSISTOR,J693M
		or 2SD1819A/QRS/-X	TRANSISTOR,J693M
	Q2204	2SC4081/QRS/-X	TRANSISTOR,J693M
		or 2PC4081/R/-X	TRANSISTOR,J693M
		or 2SD1819A/QRS/-X	TRANSISTOR,J693M
	Q3002	PTZ-NV16A	PHOTO TRANSISTOR
	Q3004	2SD1819A/QRS/-X	TRANSISTOR
		or 2SC4081/QRS/-X	TRANSISTOR
		or 2PC4081/R/-X	TRANSISTOR
	Q4001	UN5211	TRANSISTOR
		or PDTC114EU	TRANSISTOR
		or RN1302	TRANSISTOR
		or DTC114EU	TRANSISTOR
	Q4002	2SD1819A/QRS/-X	TRANSISTOR
		or 2SC4081/QRS/-X	TRANSISTOR
		or 2PC4081/R/-X	TRANSISTOR
	Q5101	2SK3255-CB14	POWER MOS FET
		or 2SK3255	POWER MOS FET
	Q5102	2SD2144S/UV/-T	TRANSISTOR
	Q5303	2SD1819A/RS/-X	TRANSISTOR
		or 2SC4081/RS/-X	TRANSISTOR
		or 2PC4081/R/-X	TRANSISTOR
	Q5304	2SD2144S/UV/-T	TRANSISTOR
	Q5305	DTA114EU	TRANSISTOR
		or PDTA114EU	TRANSISTOR
		or UN5111	TRANSISTOR
		or RN2302	TRANSISTOR
	Q5306	DTC114EU	TRANSISTOR
		or RN1302	TRANSISTOR
		or UN5211	TRANSISTOR
		or PDTC114EU	TRANSISTOR
	Q5321	2SC3616/ML/-T	TRANSISTOR
	Q6030	2SB1218A/QR/-X	TRANSISTOR
		or 2SA1576A/QR/-X	TRANSISTOR
		or 2PA1576/R/-X	TRANSISTOR
	Q7001	DTA143TU	TRANSISTOR
	Q7002	DTA143TU	TRANSISTOR
	Q7003	DTA143TU	TRANSISTOR
	Q7004	DTA143TU	TRANSISTOR
	Q7005	DTA143TU	TRANSISTOR
	Q7006	DTC143TU	TRANSISTOR
	Q7007	DTC143TU	TRANSISTOR
	Q7008	DTC143TU	TRANSISTOR
	Q7009	DTC143TU	TRANSISTOR
	Q7010	DTC143TU	TRANSISTOR

#	△	REF No.	PART No.	PART NAME, DESCRIPTION	#	△	REF No.	PART No.	PART NAME, DESCRIPTION		
			Q7011	DTC143TU	TRANSISTOR			R6	NRSA63J-273X	MG RESISTOR	27kΩ,1/16W
			Q7012	DTC143TU	TRANSISTOR			R7	NRSA63J-821X	MG RESISTOR	820Ω,1/16W
			D3	QUY153-050Y	IM BUS WIRE			R8	NRSA63J-0R0X	MG RESISTOR	0Ω,1/16W
			D3001	LNB2301L01VI	LE DIODE			R9	NRSA63J-0R0X	MG RESISTOR	0Ω,1/16W
			D3002	1SS133	DIODE			R12	QUY153-050Y	IM BUS WIRE	
				or 1SS270A	DIODE			R37	NRSA63J-0R0X	MG RESISTOR	0Ω,1/16W
			D3004	11ES2	DIODE			R42	NRSA63J-681X	MG RESISTOR	680Ω,1/16W
				or 1A3G	DIODE			R44	NRSA63J-822X	MG RESISTOR	8.2kΩ,1/16W
			D3005	11ES2	DIODE			R45	NRSA63J-103X	MG RESISTOR	10kΩ,1/16W
				or 1A3G	DIODE			R49	NRSA63J-561X	MG RESISTOR	560Ω,1/16W
			D3006	RD33ES/B2/-T2	ZENER DIODE			R66	NRSA63J-104X	MG RESISTOR	100kΩ,1/16W
				or MTZJ33B	ZENER DIODE			R77	NRSA63J-103X	MG RESISTOR	10kΩ,1/16W
△			D3008	RB721Q-40-T2	SB DIODE			R118	NRSA63J-222X	MG RESISTOR	2.2kΩ,1/16W
			D3017	1SS133	DIODE,J693M			R201	NRSA02J-332X	MG RESISTOR	3.3kΩ,1/10W
				or 1SS270A	DIODE,J693M			R202	NRSA02J-222X	MG RESISTOR	2.2kΩ,1/10W
			D5001	S1WB/A/60-4102	BRIDGE DIODE			R203	NRSA02J-101X	MG RESISTOR	100Ω,1/10W
				or S1WB(A)60F4072X	BRIDGE DIODE			R204	NRSA02J-101X	MG RESISTOR	100Ω,1/10W
				or S1WB/A/60-X	BRIDGE DIODE			R901	NRSA02J-750X	MG RESISTOR	75Ω,1/10W
			D5101	AU01	FR DIODE			R904	QRE123J-331X	RESISTOR	330Ω,1/2W
				or ERA18-04-T2	FR DIODE			R905	NRSA02J-101X	MG RESISTOR	100Ω,1/10W
				or 1SR153-400-T2	FR DIODE			R912	NRSA02J-750X	MG RESISTOR	75Ω,1/10W
				or 10ELS4	FR DIODE			R2001	NRSA02J-101X	MG RESISTOR,J496M	100Ω,1/10W
			D5102	AU01	FR DIODE			R2003	NRSA02J-101X	MG RESISTOR,J693M	100Ω,1/10W
				or ERA18-04-T2	FR DIODE				NRSA02J-681X	MG RESISTOR,J496M	680Ω,1/10W
				or 1SR153-400-T2	FR DIODE			R2004	NRSA02J-272X	MG RESISTOR,J496M	2.7kΩ,1/10W
				or 10ELS4	FR DIODE			R2005	NRSA02J-333X	MG RESISTOR,J496M	33kΩ,1/10W
			D5103	1SS133	DIODE			R2006	NRSA02J-473X	MG RESISTOR,J496M	47kΩ,1/10W
				or 1SS270A	DIODE			R2007	NRSA02J-123X	MG RESISTOR,J693M	12kΩ,1/10W
			D5105	1SS133	DIODE			R2008	NRSA02J-473X	MG RESISTOR,J496M	47kΩ,1/10W
				or 1SS270A	DIODE			R2009	NRSA02J-682X	MG RESISTOR,J496M	6.8kΩ,1/10W
			D5203	AU01Z	FR DIODE			R2010	NRSA02J-123X	MG RESISTOR,J693M	12kΩ,1/10W
				or ERA18-02-T2	FR DIODE			R2013	NRSA63J-682X	MG RESISTOR	6.8kΩ,1/16W
				or PG104RS	FR DIODE			R2014	NRSA63J-224X	MG RESISTOR	220kΩ,1/16W
				or 1SR153-400-T2	FR DIODE			R2015	NRSA63J-181X	MG RESISTOR	180Ω,1/16W
				or 10ELS2	FR DIODE			R2016	NRSA63J-473X	MG RESISTOR	47kΩ,1/16W
			D5204	AU01Z	FR DIODE			R2017	NRSA63J-123X	MG RESISTOR	12kΩ,1/16W
				or ERA18-02-T2	FR DIODE			R2018	NRSA63J-472X	MG RESISTOR	4.7kΩ,1/16W
				or 1SR153-400-T2	FR DIODE			R2019	NRSA63J-472X	MG RESISTOR	4.7kΩ,1/16W
				or 10ELS2	FR DIODE			R2024	NRSA63J-332X	MG RESISTOR	3.3kΩ,1/16W
				or PG104RS	FR DIODE			R2053	NRSA63J-272X	MG RESISTOR	2.7kΩ,1/16W
			D5207	AK04	DIODE			R2054	NRSA02J-123X	MG RESISTOR	12kΩ,1/10W
				or 11EQS04	SB DIODE			R2055	NRSA02J-3R3X	MG RESISTOR	3.3Ω,1/10W
			D5210	AU01Z	FR DIODE			R2056	NRSA02J-820X	MG RESISTOR	82Ω,1/10W
				or ERA18-02-T2	FR DIODE			R2057	NRSA02J-473X	MG RESISTOR	47kΩ,1/10W
				or 10ELS2	FR DIODE			R2058	NRSA02J-183X	MG RESISTOR	18kΩ,1/10W
				or 1SR153-400-T2	FR DIODE			R2059	NRSA02J-473X	MG RESISTOR	47kΩ,1/10W
				or PG104RS	FR DIODE			R2060	NRSA02J-183X	MG RESISTOR	18kΩ,1/10W
			D5301	MTZJ15C	ZENER DIODE			R2201	NRSA02J-473X	MG RESISTOR,J693M	47kΩ,1/10W
				or RD15ES/B3/-T2	ZENER DIODE			R2202	NRSA02J-682X	MG RESISTOR,J693M	6.8kΩ,1/10W
			D5302	QUY153-050Y	IM BUS WIRE			R2205	NRSA02J-473X	MG RESISTOR,J693M	47kΩ,1/10W
			D5303	RD5.1JS/B2/-T2	ZENER DIODE			R2206	NRSA02J-682X	MG RESISTOR,J693M	6.8kΩ,1/10W
				or MA4051N/M/-T2	ZENER DIODE			R2209	NRSA02J-101X	MG RESISTOR,J693M	100Ω,1/10W
			D5304	1SS133	DIODE			R2210	NRSA02J-472X	MG RESISTOR,J693M	4.7kΩ,1/10W
				or 1SS270A	DIODE			R2211	NRSA02J-332X	MG RESISTOR,J693M	3.3kΩ,1/10W
			D5307	QUY160-100Y	IM BUS WIRE			R2212	NRSA02J-332X	MG RESISTOR,J693M	3.3kΩ,1/10W
			D5316	QUY160-100Y	IM BUS WIRE			R2213	NRSA02J-472X	MG RESISTOR,J693M	4.7kΩ,1/10W
			D6002	HZ30-2L-T2	ZENER DIODE			R2214	NRSA02J-101X	MG RESISTOR,J693M	100Ω,1/10W
				or HZ30-2LTD	Z DIODE (M)			R2215	QRE141J-221Y	RESISTOR,J693M	220Ω,1/4W
			R1	NRSA63J-682X	MG RESISTOR			R2216	NRSA02J-102X	MG RESISTOR,J693M	1kΩ,1/10W
			R2	NRSA63J-152X	MG RESISTOR			R2217	NRSA02J-472X	MG RESISTOR,J693M	4.7kΩ,1/10W
			R3	NRSA63J-822X	MG RESISTOR			R2218	NRSA02J-392X	MG RESISTOR,J693M	3.9kΩ,1/10W

#	△ REF No.	PART No.	PART NAME, DESCRIPTION	#	△ REF No.	PART No.	PART NAME, DESCRIPTION
	R2219	NRSA02J-102X	MG RESISTOR,J693M 1kΩ,1/10W		R4024	QRE141J-103Y	RESISTOR 10kΩ,1/4W
	R2220	NRSA02J-102X	MG RESISTOR,J693M 1kΩ,1/10W		R5101	QRE141J-224Y	RESISTOR 220kΩ,1/4W
	R2221	QRE141J-102Y	RESISTOR,J693M 1kΩ,1/4W		R5102	QRE141J-224Y	RESISTOR 220kΩ,1/4W
	R2222	NRSA02J-0R0X	MG RESISTOR,J693M 0Ω,1/10W		R5103	QRE141J-683Y	RESISTOR 68kΩ,1/4W
	R2225	NRSA02J-0R0X	MG RESISTOR,J693M 0Ω,1/10W		R5104	QRG02GJ-683	OMF RESISTOR 68kΩ,2W
	R2251	NRSA63J-472X	MG RESISTOR,J693M 4.7kΩ,1/16W		R5106	QRT01DJ-R39X	MF RESISTOR 0.39Ω,1W
	R2252	NRSA63J-332X	MG RESISTOR,J693M 3.3kΩ,1/16W		R5107	QRE121J-331Y	RESISTOR 330Ω,1/2W
	R2253	QRE141J-101Y	RESISTOR,J693M 100Ω,1/4W		R5108	NRSA02J-122X	MG RESISTOR 1.2kΩ,1/10W
	R2255	NRSA63J-273X	MG RESISTOR,J693M 27kΩ,1/16W		R5109	QRE141J-681Y	RESISTOR 680Ω,1/4W
	R3001	NRSA02J-0R0X	MG RESISTOR 0Ω,1/10W		R5110	NRSA02J-224X	MG RESISTOR 220kΩ,1/10W
	R3017	NRSA02J-0R0X	MG RESISTOR 0Ω,1/10W		R5111	NRSA02J-821X	MG RESISTOR 820Ω,1/10W
	R3018	NRSA02J-0R0X	MG RESISTOR 0Ω,1/10W		R5112	NRSA02J-221X	MG RESISTOR 220Ω,1/10W
	R3021	QUY160-100Y	IM BUS WIRE		R5301	NRSA02J-472X	MG RESISTOR 4.7kΩ,1/10W
	R3027	QUY160-100Y	IM BUS WIRE		R5302	NRSA02J-152X	MG RESISTOR 1.5kΩ,1/10W
	R3028	NRSA63J-102X	MG RESISTOR 1kΩ,1/16W		R5303	NRSA02J-152X	MG RESISTOR 1.5kΩ,1/10W
	R3042	NRSA02J-0R0X	MG RESISTOR 0Ω,1/10W		R5304	NRSA02J-471X	MG RESISTOR 470Ω,1/10W
	R3056	NRSA02J-102X	MG RESISTOR 1kΩ,1/10W		R5305	NRSA02J-102X	MG RESISTOR 1kΩ,1/10W
	R3057	NRSA02J-102X	MG RESISTOR 1kΩ,1/10W		R5306	NRSA02J-471X	MG RESISTOR 470Ω,1/10W
	R3060	NRSA02J-0R0X	MG RESISTOR 0Ω,1/10W		R5308	NRSA02J-471X	MG RESISTOR 470Ω,1/10W
	R3090	NRSA02J-102X	MG RESISTOR 1kΩ,1/10W		R5309	NRSA02J-103X	MG RESISTOR 10kΩ,1/10W
	R3116	NRSA02J-103X	MG RESISTOR 10kΩ,1/10W		R5310	NRSA02J-471X	MG RESISTOR 470Ω,1/10W
	R3117	NRSA02J-103X	MG RESISTOR 10kΩ,1/10W		R5311	NRSA02J-473X	MG RESISTOR 47kΩ,1/10W
	R3201	NRSA02J-332X	MG RESISTOR 3.3kΩ,1/10W		R5312	NRVA02D-332X	CMF RESISTOR 3.3kΩ,1/10W
	R3206	NRSA02J-103X	MG RESISTOR 10kΩ,1/10W		R5313	NRVA02D-362X	CMF RESISTOR 3.6kΩ,1/10W
	R3207	NRSA02J-103X	MG RESISTOR 10kΩ,1/10W		R5314	NRSA02J-332X	MG RESISTOR 3.3kΩ,1/10W
	R3208	NRSA02J-103X	MG RESISTOR 10kΩ,1/10W		R5316	NRVA02D-822X	CMF RESISTOR 8.2kΩ,1/10W
	R3209	QRE141J-181Y	RESISTOR 180Ω,1/4W		R5331	QRL02DJ-101X	OMF RESISTOR 100Ω,2W
	R3211	NRSA02J-183X	MG RESISTOR 18kΩ,1/10W		R5332	QRE141J-222Y	RESISTOR 2.2kΩ,1/4W
	R3212	NRSA02J-181X	MG RESISTOR 180Ω,1/10W		R5333	QRL02DJ-391X	OMF RESISTOR 390Ω,2W
	R3213	QRE141J-273Y	RESISTOR 27kΩ,1/4W		R5334	QRL02DJ-391X	OMF RESISTOR 390Ω,2W
	R3214	NRSA02J-181X	MG RESISTOR 180Ω,1/10W		R6020	NRSA02J-102X	MG RESISTOR 1kΩ,1/10W
	R3215	NRSA02J-273X	MG RESISTOR 27kΩ,1/10W		R6021	NRSA02J-102X	MG RESISTOR 1kΩ,1/10W
	R3216	NRSA02J-474X	MG RESISTOR 470kΩ,1/10W		R6030	NRSA02J-332X	MG RESISTOR 3.3kΩ,1/10W
	R3217	NRSA02J-334X	MG RESISTOR 330kΩ,1/10W		R6031	QUY153-050Y	IM BUS WIRE
	R3218	NRSA02J-562X	MG RESISTOR 5.6kΩ,1/10W		R6032	NRSA02J-153X	MG RESISTOR,J496M 15kΩ,1/10W
	R3219	QRE141J-103Y	RESISTOR 10kΩ,1/4W		R6033	NRSA02J-103X	MG RESISTOR,J496M 10kΩ,1/10W
	R3220	NRSA02J-103X	MG RESISTOR 10kΩ,1/10W		R6050	QUY160-100Y	IM BUS WIRE
	R3222	NRSA02J-472X	MG RESISTOR 4.7kΩ,1/10W		R6054	NRSA02J-102X	MG RESISTOR 1kΩ,1/10W
	R3223	NRSA63J-105X	MG RESISTOR 1MΩ,1/16W		R6502	NRSA02J-332X	MG RESISTOR,J693M 3.3kΩ,1/10W
	R3224	NRSA63J-101X	MG RESISTOR 100Ω,1/16W		R6503	NRSA02J-153X	MG RESISTOR,J693M 15kΩ,1/10W
	R3226	NRSA02J-103X	MG RESISTOR 10kΩ,1/10W		R6504	NRSA02J-103X	MG RESISTOR,J693M 10kΩ,1/10W
	R3227	NRSA02J-103X	MG RESISTOR 10kΩ,1/10W		R7001	QRE141J-331Y	RESISTOR 330Ω,1/4W
	R3232	QRE141J-104Y	RESISTOR 100kΩ,1/4W		R7002	NRSA02J-331X	MG RESISTOR 330Ω,1/10W
	R3233	NRSA02J-472X	MG RESISTOR 4.7kΩ,1/10W		R7003	NRSA02J-331X	MG RESISTOR 330Ω,1/10W
	R3234	NRSA02J-472X	MG RESISTOR 4.7kΩ,1/10W		R7004	NRSA02J-331X	MG RESISTOR 330Ω,1/10W
△	R3235	NRSA02J-102X	MG RESISTOR 1kΩ,1/10W		R7005	NRSA63J-331X	MG RESISTOR 330Ω,1/16W
	R3237	NRSA02J-472X	MG RESISTOR 4.7kΩ,1/10W		R7006	NRSA02J-331X	MG RESISTOR 330Ω,1/10W
	R3238	NRSA02J-472X	MG RESISTOR 4.7kΩ,1/10W		R7007	NRSA63J-331X	MG RESISTOR 330Ω,1/16W
	R4001	QRE141J-222Y	RESISTOR 2.2kΩ,1/4W		R7020	NRSA02J-103X	MG RESISTOR 10kΩ,1/10W
	R4002	QRE141J-562Y	RESISTOR 5.6kΩ,1/4W		R7021	NRSA02J-122X	MG RESISTOR 1.2kΩ,1/10W
	R4003	NRSA02J-222X	MG RESISTOR 2.2kΩ,1/10W		R7022	NRSA02J-182X	MG RESISTOR 1.8kΩ,1/10W
	R4004	QUY160-100Y	IM BUS WIRE		R7023	NRSA02J-222X	MG RESISTOR 2.2kΩ,1/10W
	R4006	NRSA02J-472X	MG RESISTOR 4.7kΩ,1/10W		R7024	NRSA02J-272X	MG RESISTOR 2.7kΩ,1/10W
	R4010	NRSA02J-471X	MG RESISTOR 470Ω,1/10W		R7030	NRSA02J-103X	MG RESISTOR 10kΩ,1/10W
	R4011	NRSA02J-471X	MG RESISTOR 470Ω,1/10W		R7031	NRSA02J-122X	MG RESISTOR 1.2kΩ,1/10W
	R4012	NRSA02J-153X	MG RESISTOR 15kΩ,1/10W		R7032	NRSA02J-182X	MG RESISTOR 1.8kΩ,1/10W
	R4013	NRSA02J-102X	MG RESISTOR 1kΩ,1/10W		R7033	NRSA02J-222X	MG RESISTOR 2.2kΩ,1/10W
	R4018	NRSA02J-103X	MG RESISTOR 10kΩ,1/10W		R7034	NRSA02J-272X	MG RESISTOR 2.7kΩ,1/10W
	R4019	NRSA02J-102X	MG RESISTOR 1kΩ,1/10W		R7035	NRSA02J-472X	MG RESISTOR 4.7kΩ,1/10W
	R4020	NRSA02J-102X	MG RESISTOR 1kΩ,1/10W		R7036	NRSA02J-682X	MG RESISTOR 6.8kΩ,1/10W
	R4021	NRSA02J-103X	MG RESISTOR 10kΩ,1/10W		R7037	NRSA02J-563X	MG RESISTOR 56kΩ,1/10W



#	△	REF No.	PART No.	PART NAME, DESCRIPTION	#	△	REF No.	PART No.	PART NAME, DESCRIPTION
R7046			QUY153-050Y	IM BUS WIRE	C2002			QEKJ1HM-105	E CAPACITOR 1μF,50V
B6			NRSA63J-0R0X	MG RESISTOR 0Ω,1/16W	C2003			QEKJ0JM-476	E CAPACITOR 47μF,6.3V
B201			NRSA02J-0R0X	MG RESISTOR 0Ω,1/10W	C2005			QEKJ1HM-475	E CAPACITOR 4.7μF,50V
B2001			QUY153-050Y	IM BUS WIRE,J496M	C2006			NCB31EK-123X	CAPACITOR 0.012μF,25V
B5001			QUY160-100Y	IM BUS WIRE	C2007			QEKJ1CM-226	E CAPACITOR 22μF,16V
B5002			QUY160-100Y	IM BUS WIRE	C2008			QEKJ1HM-475	E CAPACITOR 4.7μF,50V
B5301			NRSA02J-0R0X	MG RESISTOR 0Ω,1/10W	C2009			NCB31HK-102X	CAPACITOR 0.001μF,50V
B6020			QUY160-075Y	IM BUS WIRE	C2010			NCB31HK-152X	CAPACITOR 0.0015μF,50V
B7009			NRSA02J-0R0X	MG RESISTOR 0Ω,1/10W	C2011			QEKJ1HM-475	E CAPACITOR 4.7μF,50V
C1			NCF31AZ-105X	CAPACITOR 1μF,10V	C2012			QEKJ1HM-475	E CAPACITOR 4.7μF,50V
C2			NCF31AZ-105X	CAPACITOR 1μF,10V	C2051			QCB1HK-331	CAPACITOR 330pF,50V
C3			NCF31AZ-105X	CAPACITOR 1μF,10V	C2052			QFN31HJ-823	F CAPACITOR 0.082μF,50V
C4			NCF31AZ-105X	CAPACITOR 1μF,10V	C2053			NCB21HK-472X	CAPACITOR 0.0047μF,50V
C5			QEK1CM-476	E CAPACITOR 47μF,16V	C2054			NCB21EK-223X	CAPACITOR 0.022μF,25V
C6			NCB11EK-104X	CAPACITOR 0.1μF,25V	C2055			QEKJ1EM-106	E CAPACITOR 10μF,25V
C7			NCB21HK-471X	CAPACITOR 470pF,50V	C2201			QEKJ1EM-106	E CAPACITOR,J693M 10μF,25V
C8			NCB31CK-104X	CAPACITOR 0.1μF,16V	C2202			QEKJ1HM-475	E CAPACITOR,J693M 4.7μF,50V
C9			NCB31EK-103X	CAPACITOR 0.01μF,25V	C2203			QEKJ1HM-475	E CAPACITOR,J693M 4.7μF,50V
C10			NDC31HJ-151X	CAPACITOR 150pF,50V	C2204			QEKJ0JM-336	E CAPACITOR,J693M 33μF,6.3V
C11			NCB31CK-104X	CAPACITOR 0.1μF,16V	C2205			QEKJ1EM-106	E CAPACITOR,J693M 10μF,25V
C12			NDC31HJ-330X	CAPACITOR 33pF,50V	C2206			QEKJ1EM-106	E CAPACITOR,J693M 10μF,25V
C14			NCB31CK-104X	CAPACITOR 0.1μF,16V	C2207			NCB31EK-153X	CAPACITOR,J693M 0.015μF,25V
C16			NCB31CK-104X	CAPACITOR 0.1μF,16V	C2208			NCB31EK-153X	CAPACITOR,J693M 0.015μF,25V
C17			QEKJ1HM-335	E CAPACITOR 3.3μF,50V	C2209			QEKJ1EM-106	E CAPACITOR,J693M 10μF,25V
C19			QEKJ1HM-225	E CAPACITOR 2.2μF,50V	C2210			QEKJ1EM-106	E CAPACITOR,J693M 10μF,25V
C20			QEKJ1HM-105	E CAPACITOR 1μF,50V	C2211			QEKJ0JM-336	E CAPACITOR,J693M 33μF,6.3V
C21			NCB31CK-104X	CAPACITOR 0.1μF,16V	C2212			QEKJ0JM-476	E CAPACITOR,J693M 47μF,6.3V
C22			QEKJ0JM-476	E CAPACITOR 47μF,6.3V	C2214			QEKJ1EM-106	E CAPACITOR,J693M 10μF,25V
C23			NCB31CK-223X	CAPACITOR 0.022μF,16V	C2215			QEK1EM-106	E CAPACITOR,J693M 10μF,25V
C24			QCFB1HZ-104	CAPACITOR 0.1μF,50V	C2216			QEKJ1CM-476	E CAPACITOR,J693M 47μF,16V
C25			NDC31HJ-5R0X	CAPACITOR 5pF,50V	C2218			QEKJ1EM-106	E CAPACITOR,J693M 10μF,25V
C26			NCB31CK-223X	CAPACITOR 0.022μF,16V	C2219			QEK1CM-226	E CAPACITOR,J693M 22μF,16V
C27			NCB31EK-223X	CAPACITOR 0.022μF,25V	C2220			QEKJ1EM-106	E CAPACITOR,J693M 10μF,25V
C28			QEKJ1HM-335	E CAPACITOR 3.3μF,50V	C2221			NCB21EK-223X	CAPACITOR,J693M 0.022μF,25V
C29			NCB31CK-683X	CAPACITOR 0.068μF,16V	C2222			NCB31EK-103X	CAPACITOR,J693M 0.01μF,25V
C30			QEKJ1HM-474	E CAPACITOR 47μF,50V	C2251			NCB21HK-103X	CAPACITOR,J693M 0.01μF,50V
C31			QEKJ0JM-476	E CAPACITOR 47μF,6.3V	C2252			NCB31EK-103X	CAPACITOR,J693M 0.01μF,25V
C32			QDYB1CM-103Y	CAPACITOR 0.01μF,16V	C2253			NCB31EK-103X	CAPACITOR,J693M 0.01μF,25V
C33			QEKJ1HM-225	E CAPACITOR 2.2μF,50V	C2254			QEKJ0JM-476	E CAPACITOR,J693M 47μF,6.3V
C34			NCB21EK-104X	CAPACITOR 0.1μF,25V	C2255			NCB31EK-103X	CAPACITOR,J693M 0.01μF,25V
C35			NCB31EK-103X	CAPACITOR 0.01μF,25V	C2256			NCB21HK-103X	CAPACITOR,J693M 0.01μF,50V
C36			QEKJ1EM-475	E CAPACITOR 4.7μF,25V	C2257			NCB31EK-103X	CAPACITOR,J693M 0.01μF,25V
C37			QEKJ1HM-105	E CAPACITOR 1μF,50V	C2259			QEKJ1HM-334	E CAPACITOR,J693M 0.33μF,50V
C38			QEKJ0JM-476	E CAPACITOR 47μF,6.3V	C2260			NRSA63J-684X	MG RESISTOR,J693M 680kΩ,1/16W
C39			NCB31CK-223X	CAPACITOR 0.022μF,16V	C2261			NDC31HJ-470X	CAPACITOR,J693M 47pF,50V
C40			QEKJ1CM-106	E CAPACITOR 10μF,16V	C2262			NDC31HJ-470X	CAPACITOR,J693M 47pF,50V
C51			QERF1HM-105	E CAPACITOR 1μF,50V	C3001			NCB21EK-223X	CAPACITOR 0.022μF,25V
C54			NCB31EK-103X	CAPACITOR 0.01μF,25V	C3003			QEKJ1CM-106	E CAPACITOR 10μF,16V
C62			NCB31CK-104X	CAPACITOR 0.1μF,16V	C3004			NDC31HJ-101X	CAPACITOR 100pF,50V
C201			QERF0JM-476	E CAPACITOR 47μF,6.3V	C3008			NCB21HK-103X	CAPACITOR 0.01μF,50V
C202			NCB21EK-223X	CAPACITOR 0.022μF,25V	C3013			QEKJ1CM-106	E CAPACITOR 10μF,16V
C203			QERF1HM-105	E CAPACITOR 1μF,50V	C3015			NCB21HK-222X	CAPACITOR 0.0022μF,50V
C205			NDC21HJ-101X	CAPACITOR 100pF,50V	C3016			NDC21HJ-180X	CAPACITOR 18pF,50V
C207			NCF21CZ-105X	CAPACITOR 1μF,16V	C3017			NDC21HJ-270X	CAPACITOR 27pF,50V
C208			NDC21HJ-101X	CAPACITOR 100pF,50V	C3018			QAT3725-300Z	TRIM CAPACITOR
C209			NCB21HK-103X	CAPACITOR 0.01μF,50V	C3019			NDC21HJ-100X	CAPACITOR 10pF,50V
C210			NCB21HK-222X	CAPACITOR 0.0022μF,50V	C3020			NDC21HJ-180X	CAPACITOR 18pF,50V
C211			NCB21HK-103X	CAPACITOR 0.01μF,50V	C3022			NCB21HK-103X	CAPACITOR 0.01μF,50V
C901			QETN0JM-477	E CAPACITOR 470μF,6.3V	C3023			NCF21CZ-105X	CAPACITOR 1μF,16V
C904			NCB21EK-223X	CAPACITOR 0.022μF,25V	C3028			QETN0JM-108	E CAPACITOR 1000μF,6.3V
C2001			QEKJ1HM-475	E CAPACITOR 4.7μF,50V	C3035			NCB31EK-223X	CAPACITOR 0.022μF,25V

#	△ REF No.	PART No.	PART NAME, DESCRIPTION	#	△ REF No.	PART No.	PART NAME, DESCRIPTION
		C3036	QERF0JM-107 E CAPACITOR 100μF,6.3V			L1	QQL29BJ-100Z COIL 10μH
		C3041	NDC21HJ-101X CAPACITOR 100pF,50V			L2	QUY153-050Y IM BUS WIRE
		C3042	NDC21HJ-101X CAPACITOR 100pF,50V			L3	QQL29BJ-100Z COIL 10μH
		C3049	NCB21HK-103X CAPACITOR 0.01μF,50V			L4	QQL29BJ-100Z COIL 10μH
		C3050	NCB21HK-103X CAPACITOR 0.01μF,50V			L5	QQL29BJ-100Z COIL 10μH
		C3052	NCB21HK-103X CAPACITOR 0.01μF,50V			L11	QQL01BJ-120Z COIL 12μH
		C3053	QDYB1CM-103Y CAPACITOR 0.01μF,16V			L201	QUY153-050Y IM BUS WIRE
		C4001	NCB21EK-104X CAPACITOR 0.1μF,25V			L203	QQL231J-4R7Y COIL 4.7μH
		C4002	QERF1HM-105 E CAPACITOR 1μF,50V			L901	QQL29BJ-100Z COIL 10μH
		C4004	QERF1AM-336 E CAPACITOR 33μF,10V			L2001	QUY153-050Y IM BUS WIRE
		C4006	NCB21EK-563X CAPACITOR 0.056μF,25V			L2201	QUY153-050Y IM BUS WIRE,J693M
		C4007	NCB21HK-103X CAPACITOR 0.01μF,50V			L2251	QQL29BJ-100Z COIL,J693M 10μH
		C4009	NCB21HK-102X CAPACITOR 0.001μF,50V			L5201	PELN1184 COIL 33μH
		C4010	QERF0JM-476 E CAPACITOR 47μF,6.3V			L5202	PELN1184 COIL 33μH
		C4011	NCB21CK-224X CAPACITOR 0.22μF,16V			L6001	QUY153-050Y IM BUS WIRE
		C4014	NDC21HJ-101X CAPACITOR 100pF,50V			L6003	QUY153-050Y IM BUS WIRE
		C4015	NDC21HJ-101X CAPACITOR 100pF,50V			L6032	QUY153-050Y IM BUS WIRE
		C4019	NCB21HK-103X CAPACITOR 0.01μF,50V			L6050	QUY153-050Y IM BUS WIRE
		C4022	NDC21HJ-101X CAPACITOR 100pF,50V			L6501	QUY153-050Y IM BUS WIRE,J693M
△		C5001	QFZ9073-683 F CAPACITOR 0.068μF,250V			L7111	NRSA02J-0R0X MG RESISTOR 0Ω,1/10W
△		C5003	QCZ9071-101 CAPACITOR 100pF,250V			L7112	QUY160-100Y IM BUS WIRE
△		C5004	QCZ9071-222 CAPACITOR 0.0022μF,400V			X1	QAX0578-001 CRYSTAL RESONATOR
		C5006	QEZO424-686 E CAPACITOR 68μF,400V			X2	QAX0575-001 CRYSTAL RESONATOR
		C5101	QCZ0212-472 CAPACITOR 0.0047μF,1kV			X3001	QAX0526-001Z CRYSTAL RESONATOR
		C5102	QCZ0339-101Z CAPACITOR 100pF,1kV			X3002	QAX0444-001 CRYSTAL RESONATOR
		C5104	QEKJ1HM-105 E CAPACITOR 1μF,50V			S3001	QSW0602-004 PUSH SWITCH,REC.SAFETY
		C5105	QFN31HJ-183 F CAPACITOR 0.018μF,50V			S7004	QSW0456-002Z TACT SWITCH,REV/CH-
		C5106	QCBB1HJ-271 CAPACITOR 270pF,50V			S7006	QSW0456-002Z TACT SWITCH,FF/CH+
		C5107	QFV11HJ-104 F CAPACITOR 0.1μF,50V			S7010	QSW0456-002Z TACT SWITCH,PLAY
		C5202	QEMT1CM-687 E CAPACITOR 680μF,16V			S7016	QSW0456-002Z TACT SWITCH,POWER
		C5203	QEMT1AM-687 E CAPACITOR 680μF,10V			S7017	QSW0456-002Z TACT SWITCH,STOP/EJECT
		C5204	QETJ2AM-475 E CAPACITOR 4.7μF,100V			S7018	QSW0456-002Z TACT SWITCH,REC
		C5206	QEKJ1CM-476 E CAPACITOR 47μF,16V			S7019	QSW0456-002Z TACT SWITCH,PAUSE/CH
		C5207	QEKJ1CM-107 E CAPACITOR 100μF,16V			K5101	QQR0678-001Z FERRITE BEAD
		C5301	QEKJ1CM-107 E CAPACITOR 100μF,16V			K5102	QQR0678-001Z FERRITE BEADS
		C5302	QEKC1EM-106 E CAPACITOR 10μF,25V			PC3001	GP3S123 IC(PHOTO SENSOR)
		C5303	QEKJ1CM-107 E CAPACITOR 100μF,16V			PC3002	GP3S123 IC(PHOTO SENSOR)
		C5304	QFLC1HJ-102Z F CAPACITOR 0.001μF,50V	△		PC5101	PS2561L1-1/WL/ IC(PHOTO COUPLER)
		C5305	QFV91HJ-154 F CAPACITOR 0.15μF,50V			T2051	PELN0832 OSC TRANSFORMER
		C6008	NCB21HK-103X CAPACITOR 0.01μF,50V	△		T5001	QQS0083-001 SW TRANSFORMER
		C6021	NDC21HJ-101X CAPACITOR 100pF,50V			TU6001	QAU0235-001 TUNER
		C6029	NRSA02J-0R0X MG RESISTOR 0Ω,1/10W	△		TB1	LP20979-003A TERMINAL BOARD,J693M
		C6031	QEKJ1EM-106 E CAPACITOR,J496M 10μF,25V	△			LP21035-004A TERMINAL BOARD,J496M
		C6053	NCB21HK-102X CAPACITOR 0.001μF,50V			DI7001	LTG-Y2K16M-J LE DIODE
		C6501	NCB21EK-104X CAPACITOR,J693M 0.1μF,25V			ET1	LP30859-001A EARTH PLATE
		C6502	QEKC1HM-106 E CAPACITOR,J693M 10μF,50V	△		HS1	LP40090-001A HEAT SINK,Q5101
		C6503	QEKJ1HM-105 E CAPACITOR,J693M 1μF,50V			SD1	LP20990-001A SHIELD PLATE
		C6504	QCFB1HZ-104 CAPACITOR,J693M 0.1μF,50V			OT1	QYTDST3006Z SCREW,Q5101
		C6506	QEKJ1HM-105 E CAPACITOR,J693M 1μF,50V			FC5001	QNG0006-001Z FUSE CLIP,F5001
		C6508	NCB21EK-223X CAPACITOR,J693M 0.022μF,25V			FC5002	QNG0006-001Z FUSE CLIP,F5001
		C6509	NCB21EK-104X CAPACITOR,J693M 0.1μF,25V			FW7106	QUM022-18A4A4 P.R.WIRE,LT.BATTERY
		C6512	NCB21EK-223X CAPACITOR,J693M 0.022μF,25V			J2	QNN0286-002 PIN JACK,A/V OUT,J693M
		C6513	QEKJ1HM-225 E CAPACITOR,J693M 2.2μF,50V				QNN0292-002 PIN JACK,A/V OUT,J496M
		C6514	NCB21EK-223X CAPACITOR,J693M 0.022μF,25V			J7101	QNN0381-001 PIN JACK,FRONT IN,J693M
		C6515	QEKC1HM-335 E CAPACITOR,J693M 3.3μF,50V				QNN0382-001 PIN JACK,FRONT IN,J496M
		C6516	QEKJ1HM-475 E CAPACITOR,J693M 4.7μF,50V	△		LF5002	QQR0532-001 LINE FILTER
		C6517	NCB21CK-224X CAPACITOR,J693M 0.22μF,16V			CN1	QGF1028C1-11 FPC CONNECTOR,(1-11)UPPER DRUM,J693M
		C6519	NCB21HK-123X CAPACITOR,J496M 0.012μF,50V				QGF1028C2-08 FPC CONNECTOR,(1-8)UPPER DRUM,J496M
		C7013	NCB21HK-103X CAPACITOR 0.01μF,50V			CN2001	QGF1207C1-07 FPC CONNECTOR,(1-7)A/C HEAD
		C7014	NCB21HK-103X CAPACITOR 0.01μF,50V			CN2002	QGB2532J1-02 CONNECTOR,(1-2)FE HEAD
		C7041	QEKJ0JM-227Z E CAPACITOR 220μF,6.3V			CN3001	QGB2015M2-08 CONNECTOR,(1-8)CAPSTAN MOTOR

#	△ REF No.	PART No.	PART NAME, DESCRIPTION
	CN3002	QGF1207C1-05	FPC CONNECTOR,(1-5)DRUM MDA
	CN3003	QGB2532J1-02	CONNECTOR,(1-2)LOADING MOTOR
	CN3004	QGB2534J2-04	CONNECTOR,(1-4)ROTARY ENCODER
△	CN5001	QGA7901C3-02	CONNECTOR,(1-2)AC IN
△	CP4001	ICP-N25	CIRCUIT PROTECTOR
△	CP5302	ICP-N25	CIRCUIT PROTECTOR
△	F5001	QMF51E2-2R0J1	FUSE T2.0A,AC250V

#	△ REF No.	PART No.	PART NAME, DESCRIPTION
---	-----------	----------	------------------------

\*\*\*\*\*

**A/C HEAD BOARD ASSEMBLY <12>**

PW1	LP10122-01A1	A/C HEAD BOARD ASSY
CN1	QGF1208F1-07	FPC CONNECTOR

\*\*\*\*\*

**LOADING MOTOR BOARD ASSEMBLY <55>**

PW2	LP10122-01A2	LOADING MOTOR BOARD ASSY
CN1	QGB2533K1-02	CONNECTOR

\*\*\*\*\*

**LT BATTERY BOARD ASSEMBLY <93>**

PW4	LPA10130-01A4	LT.BATTERY BOARD ASSY
BT3001	QNZ0032-001	BATTERY HOLDER

